

- 1
- 2
- 3
- 4
- 5
- 6
- 7
- 8
- 9
- 10
- 11
- 12
- 13
- 14
- 15
- 16
- 17
- 18

MATERIAL

AISI 304 stainless steel, sandblasted matte finish. Welded hub.

HUB CAP

Technopolymer, black colour.

STANDARD EXECUTION

Hub, H9 reamed hole with end grooving. Handle 1.280 (see page 394) in Duroplast.

FEATURES AND APPLICATIONS

The stainless steel crank handles GN 369.5 are particularly suitable for use in corrosive environments.

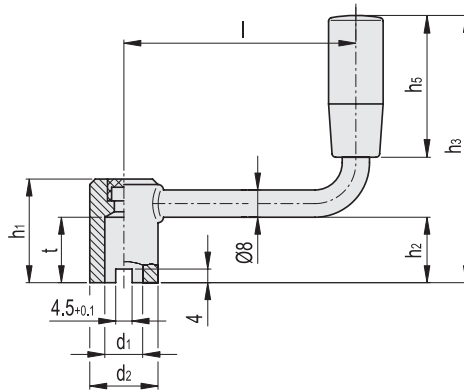
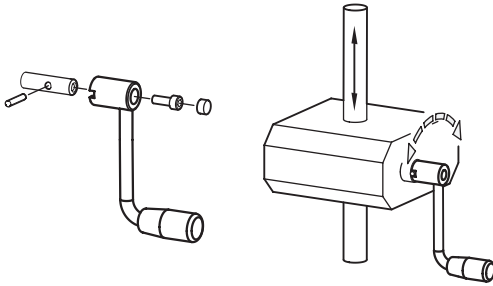
The transverse groove easily transfers rotational motion to the shaft through a transverse pin mounted on the shaft.

SPECIAL EXECUTIONS ON REQUEST

Hub without end grooving.



Application example



Conversion Table
1 mm = 0.039 inch

mm	inch
63	2.36
80	3.15
100	3.94
125	4.92

Code	Description	l	d1 H9	d2	h1	h2	h3	h5	t+0.5	
GN.22051	GN 369.5-63-B10-N	63	10	18	28	18	74	40	18	87
GN.22061	GN 369.5-80-B10-N	80	10	18	28	18	74	40	18	93
GN.22071	GN 369.5-100-B12-N	100	12	20	30	20	88	50	20	121
GN.22081	GN 369.5-125-B12-N	125	12	20	30	20	88	50	20	131